

 **BOEING**
COMPONENT
MAINTENANCE MANUAL

TO: ALL HOLDERS OF FUEL TEMPERATURE SENSOR/GPWS RA SELECT MODULE ASSEMBLY
COMPONENT MAINTENANCE MANUAL 28-43-01

REVISION NO. 3 DATED MAR 01/03

HIGHLIGHTS

Pages which have been added or revised are outlined below together with the highlights of the revision. Remove and insert the affected pages as listed and enter Revision No. and date on the Record of Revision Sheet.

CHAPTER/SECTION

AND PAGE NO.

1005-1007,1009-1018,
1020

DESCRIPTION OF CHANGE

Added the IPL information for assembly 823T0003-1.

28-43-01

HIGHLIGHTS

01.1

Page 1

Mar 01/03

FUEL TEMPERATURE SENSOR/GPWS RA SELECT,
M6775 MODULE ASSEMBLY

PART NUMBERS 233U4212-1,-4,-5,-300 THRU -302
823T0003-1

COMPONENT MAINTENANCE MANUAL
WITH
ILLUSTRATED PARTS LIST

28-43-01

TITLE PAGE

Page 1

Nov 01/02

01.1



REVISION RECORD

- Retain this record in front of manual. On receipt of revision, insert revised pages in the manual, and enter revision number, date inserted and initial.

REVISION NUMBER	REVISION DATE	DATE FILED	BY	REVISION NUMBER	REVISION DATE	DATE FILED	BY

TEMPORARY REVISION AND SERVICE BULLETIN RECORD

BOEING SERVICE BULLETIN	BOEING TEMPORARY REVISION	OTHER DIRECTIVE	DATE OF INCORPORATION INTO MANUAL
233U4212-28-01			NOV 01/2002

28-43-01

TR & SB RECORD

01.1

Page 1

Nov 01/02

PAGE	DATE	CODE	PAGE	DATE	CODE
28-43-01			ILLUSTRATED PARTS LIST		CONT.
TITLE PAGE			*1006	MAR 01/03	01.1
1	NOV 01/02	01.1	*1007	MAR 01/03	01.1
2	BLANK		*1008	BLANK	
REVISION RECORD			*1009	MAR 01/03	01.1
1	NOV 01/02	01.1	*1010	MAR 01/03	01.1
2	BLANK		*1011	MAR 01/03	01.1
TR & SB RECORD			*1012	MAR 01/03	01.1
1	NOV 01/02	01.1	*1013	MAR 01/03	01.1
2	BLANK		*1014	MAR 01/03	01.1
LIST OF EFFECTIVE PAGES			*1015	MAR 01/03	01.1
*1	MAR 01/03	01	*1016	MAR 01/03	01.1
THRU LAST PAGE			*1017	MAR 01/03	01.1
CONTENTS			*1018	MAR 01/03	01.1
1	NOV 01/02	01.1	*1019	BLANK	
2	BLANK		*1020	MAR 01/03	01.1
INTRODUCTION			*1021	MAR 01/03	01.101
1	NOV 01/02	01.1	*1022	BLANK	
2	BLANK				
DESCRIPTION & OPERATION					
1	NOV 01/02	01.1			
2	BLANK				
TESTING & TROUBLE SHOOTING					
101	NOV 01/02	01.1			
102	NOV 01/02	01.1			
103	NOV 01/02	01.1			
104	BLANK				
ILLUSTRATED PARTS LIST					
1001	NOV 01/02	01.1			
1002	NOV 01/02	01.1			
1003	NOV 01/02	01.1			
1004	NOV 01/02	01.1			
*1005	MAR 01/03	01.1			

* = REVISED, ADDED OR DELETED

28-43-01

EFFECTIVE PAGES
LAST PAGE Page 1
01 Mar 01/03

TABLE OF CONTENTS

<u>Paragraph Title</u>	<u>Page</u>
Description and Operation	1
Testing and Trouble Shooting.	101
Disassembly*[1]
Cleaning.*[1]
Check*[1]
Repair.*[1]
Assembly.*[1]
Fits and Clearances (not applicable)	
Special Tools*[2]
Illustrated Parts List.	1001

*[1] Use applicable procedures in 20-11-04 and standard industry practices.

*[2] Special instructions not required.

INTRODUCTION

The instructions in this manual provide the information necessary to perform maintenance functions including test, fault isolation, and replacement of defective components.

This manual is divided into separate sections:

- | | |
|--|------------------------------|
| 1. Title Page | 4. List of Effective Pages |
| 2. Record of Revisions | 5. Table of Contents |
| 3. Temporary Revision &
Service Bulletin Record | 6. Introduction |
| | 7. Procedures & IPL Sections |

Refer to the Table of Contents for the page location of applicable sections.

An explanation of the use of the Illustrated Parts List is provided in the Introduction to that section.

All weights and measurements used in the manual are in English units, unless otherwise stated. When metric equivalents are given they will be in parentheses following the English units.

Design changes, optional parts, configuration differences and Service Bulletin modifications create alternate part numbers. These are identified in the Illustrated Parts List (IPL) by adding an alphabetical character to the basic item number. The resulting item number is called an alpha-variant. Throughout the manual, IPL basic item number references also apply to alpha-variants unless otherwise indicated.

Verification:

Testing/TS December 1, 1997

28-43-01

INTRODUCTION

01.1

Page 1

Nov 01/02

FUEL TEMPERATURE SENSOR/GPWS RA SELECT, M6775 MODULE ASSEMBLY

DESCRIPTION AND OPERATION

1. Description

- A. The Fuel Temperature Sensor/GPWS (Ground Proximity Warning System) RA (Radio Altimeter) Select Module Assembly contains two of select switches mouned on the baseplate assembly.
- B. External connections are made through a 15-pin connector mounted on the connector support.

28-43-01

DESCRIPTION & OPERATION

01.1

Page 1

Nov 01/02

TESTING AND TROUBLE SHOOTING

1. Test Equipment

A. Multimeter: Fluke 8020A or equivalent

2. Functional Test

A. Do a test procedure as shown in Table 101.

NOTE: Continuity is defined as 3 ohms max and Open is defined as 100K ohms min.

MODULE ASSEMBLY	FUNCTIONAL TEST
233U4212-1,-4,-5,-300,-301	Table 102
233U4212-302 and 823T0003-1	Table 103

Table 101

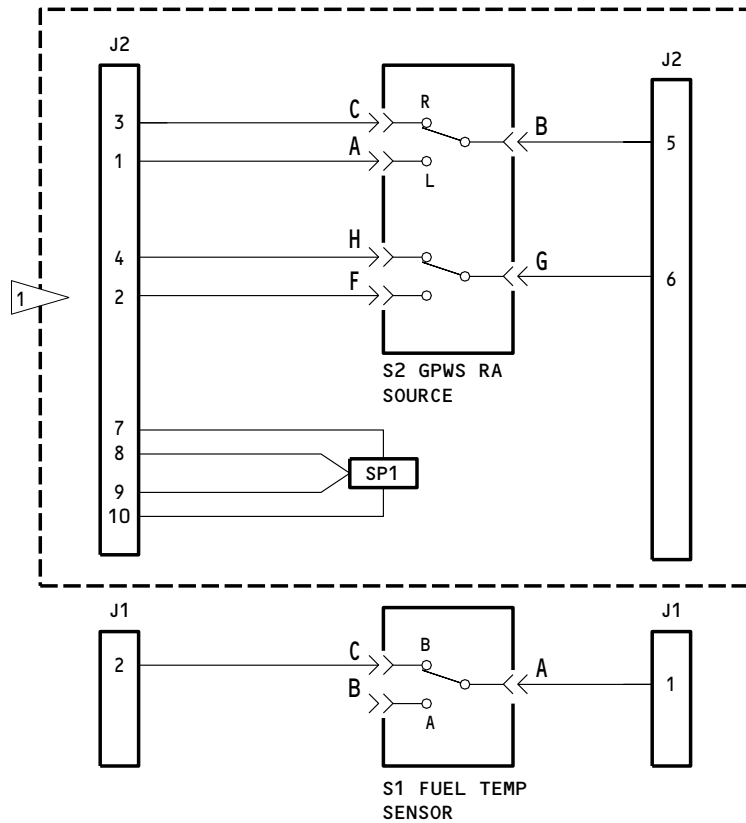
STEP NO.	PROCEDURE	REQUIRED RESULTS	COMPONENT TESTED
	Measure ohms between the pins shown below:		
1	Set S1 switch to A. J1-1 and J1-2	Open	S1
2	Set S1 switch to B. J1-1 and J1-2	Continuity	S1
3	Set S2 switch to R. J2-3 and J2-5 J2-4 and J2-6 J2-1 and J2-5 J2-4 and J2-2	Continuity Continuity Open Open	S2 S2 S2 S2
4	Set S2 switch to L. J2-5 and J2-1 J2-2 and J2-6 J2-3 and J2-5 J2-4 and J2-6	Continuity Continuity Open Open	S2 S2 S2 S2

233U4212-1, -4, -5, -300, -301
Functional Test Procedure
Table 102

STEP NO.	PROCEDURE	REQUIRED RESULTS	COMPONENT TESTED
	Measure ohms between the pins shown below:		
1	Set S1 switch to A. J1-1 and J1-2	Open	S1
2	Set S1 switch to B. J1-1 and J1-2	Continuity	S1

233U4212-302 and 823T0003-1
Functional Test Procedure
Table 103

28-43-01



1 ALL EXCEPT 823T0003-1 AND 233U4212-302

233U4212-1,-4,-5,-300 THRU -302
823T0003-1
Fuel Temperature Sensor/GPWS RA Select Module Assembly Schematic Diagram
Figure 101

28-43-01

TESTING & TROUBLE SHOOTING
01.1 Page 103
Nov 01/02

ILLUSTRATED PARTS LIST

1. This section lists and illustrates replaceable or repairable component parts. The Illustrated Parts Catalog contains a complete explanation of the Boeing part numbering system.

2. Indentures show parts relationships as follows:

Assembly

Detail Parts for Assembly

Subassembly

Attaching Parts for Subassembly

Detail Parts for Subassembly

Detail Installation Parts (Included only if installation parts may be returned to shop as part of assembly)

3. One use code letter (A, B, C, etc.) is assigned in the EFF CODE column for each variation of top assembly. All listed parts are used on all top assemblies except when limitations are shown by use code letter opposite individual part entries.

4. Letter suffixes (alpha-variants) are added to item numbers for optional parts, Service Bulletin modification parts, configuration differences (Except left- and right-hand parts), product improvement parts, and parts added between two sequential item numbers. The alpha-variant is not shown on illustrations when appearance and location of all variants of the part is the same.

5. Service Bulletin modifications are shown by the notations PRE SB XXXX and POST SB XXXX.

A. When a new top assembly part number is assigned by Service Bulletin, the notations appear at the top assembly level only. The configuration differences at detail part level are then shown by use code letter.

B. When the top assembly part number is not changed by the Service Bulletin, the notations appear at the detail part level.

6. Parts Interchangeability

Optional
(OPT)

The parts are optional to and interchangeable with other parts having the same item number.

Supersedes, Superseded By
(SUPSDS, SUPSD BY)

The part supersedes and is not interchangeable with the original part.

Replaces, Replaced By
(REPLS, REPLD BY)

The part replaces and is interchangeable with, or is an alternate to, the original part.

28-43-01

- 7. Deleted
- 8. Deleted

28-43-01

ILLUSTRATED PARTS LIST
01.1 Page 1002
Nov 01/02

VENDORS

12324 DUPREE INC STAKE FASTENER CO
14395 RAMONA PO BOX 1797
CHINO, CALIFORNIA 91708

15084 DUPREE INC AEROSPACE KNOB CO DIV
14395 RAMONA PO BOX 1797
CHINO, CALIFORNIA 91708-1797

15653 KAYNAR TECHNOLOGY KAYNAR DIV
800 SOUTH STATE COLLEGE BLVD PO BOX 3001
FULLERTON, CALIFORNIA 92634-3001

60119 MONADNOCK CO THE
18301 ARENTH AVENUE PO BOX 1222
CITY OF INDUSTRY, CALIFORNIA 91749

72794 DZUS FASTENER COMPANY, INCORPORATED
425 UNION BOULEVARD
WEST ISLIP, NEW YORK 11795-3123

72962 ELASTIC STOP NUT A DIV OF HARTFORD INDUSTRIES INC
2330 VAUXHALL ROAD
UNION, NEW JERSEY 07083-5038

91812 JANCO CORPORATION
3111 WINONA AVENUE,PO BOX 3038
BURBANK, CALIFORNIA 91504-2543

28-43-01

ILLUSTRATED PARTS LIST
01.1 Page 1003
Nov 01/02

REFERENCE DESIGNATOR INDEX (SEE SCHEMATIC DIAGRAM)		
REFERENCE DESIGNATOR	PART NUMBER	FIG-ITEM
J1	BACC45FN14-15P	1-65
J1	BACC45FN14-15P	2-75
J1	BACC45FN14-15P	3-65
J2	BACC45FN14-15P6	1-70
J2	BACC45FN14-15P6	2-80
S1	AC45-0066	1-10
S1	AC45-0066	2-20
S1	AC45-0066	3-15
S2	AC45-0067	1-15
S2	AC45-0067	2-25

28-43-01

PART NUMBER	AIRLINE PART NO.	FIG.	ITEM	TTL REQ
AC45-0066		1	10	1
		2	20	1
		3	15	1
AC45-0067		1	15	1
		2	25	1
BACC45FN14-15P		1	65	1
		2	75	1
		3	65	1
BACC45FN14-15P6		1	70	1
		2	80	1
BACN10NW1		1	60	2
		1	62	2
		2	70	2
		2	72	2
		3	60	3
BACP10U0225N		1	35	1
		2	45	1
		3	35	1
BACS21DX1B		1	30	4
		2	40	4
		3	30	4
BAC27ECC1311		1	85	1
		2	95	1
BAC27ECC1636		3	80	1
BAC27TFDE0419		1	90	1
		2	100	1
BAC27TFDE609		1	95	1
		2	105	1
BP248-127		2	5	1
		2	7	1
		3	5	1
FH6C5CPL12BN K19798-04		3	20	3
		1	60	2
		1	62	2
		2	70	2
		2	72	2
MS35338-136		3	60	3
		3	45	3
MS35338-41		1	45	3
		2	55	3
MS51957-14		3	55	3
MS51957-27		3	40	3
NAS1801-04-05		1	57	2
		2	67	2
NAS1801-04-5		1	55	2
		2	65	2

28-43-01

ILLUSTRATED PARTS LIST
01.1 Page 1005
Mar 01/03

PART NUMBER	AIRLINE PART NO.	FIG.	ITEM	TTL REQ
NAS1801-06-5		1	40	3
		2	50	3
NAS514P632		1	20	
		2	30	
NAS514P632-5P		1	20A	3
		2	30A	3
PFSC35-38ASEMB		1	30	4
		2	40	4
		3	30	4
RMA4812-160-40		1	60	2
		1	62	2
		2	70	2
		2	72	2
		3	60	3
233T6200-63		1	75	1
		2	85	1
233T6200-64		3	70	1
233U4212-1		1	1A	RF
233U4212-2		1	25	1
		2	35	1
233U4212-3		1	80	1
		1	80A	1
		2	90	1
233U4212-300		1	5	RF
		2	1A	RF
233U4212-301		1	5A	RF
		2	1B	RF
233U4212-302		1	5B	RF
		3	1A	RF
233U4212-311		2	90A	1
233U4212-4		1	1B	RF
		2	15	1
		2	17	1
233U4212-5		1	1C	RF
		2	10	1
233U4212-6		3	10	1
233U4212-7		3	25	1
233U4212-8		3	75	1
293162		1	60	2
		1	62	2
		2	70	2
		2	72	2
		3	60	3
69B46200-6		1	50	3
		2	60	3
		3	50	3

28-43-01

 ILLUSTRATED PARTS LIST
 01.1 Page 1006
 Mar 01/03

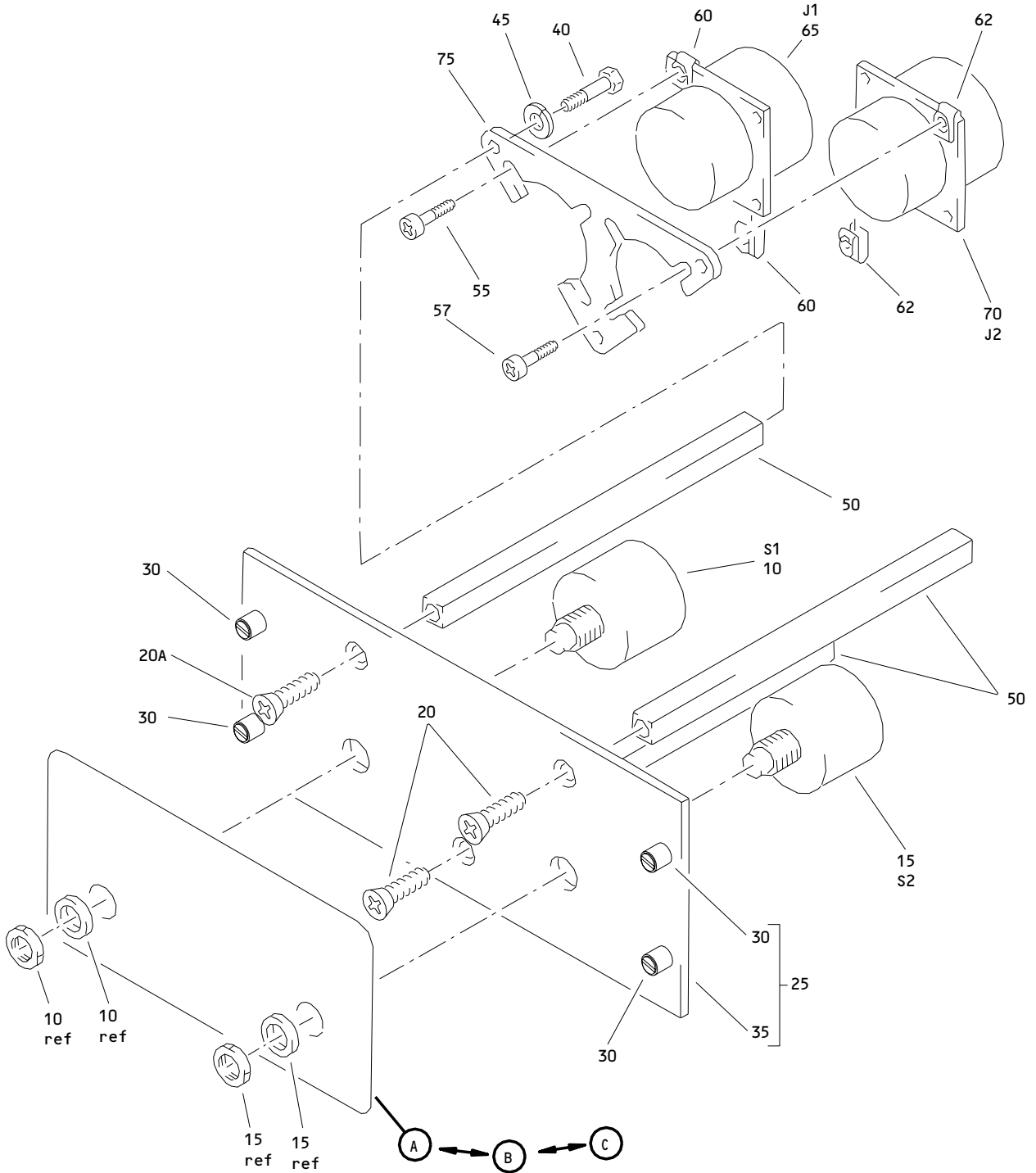
233U4212
823T0003

 **BOEING**
COMPONENT
MAINTENANCE MANUAL

PART NUMBER	AIRLINE PART NO.	FIG.	ITEM	TTL REQ
69B46200-9		1	50A	3
		2	60A	3
823T0003-1		1	5C	RF
		1	5D	RF
		2	1C	RF

28-43-01

ILLUSTRATED PARTS LIST
01.1 Page 1007
Mar 01/03

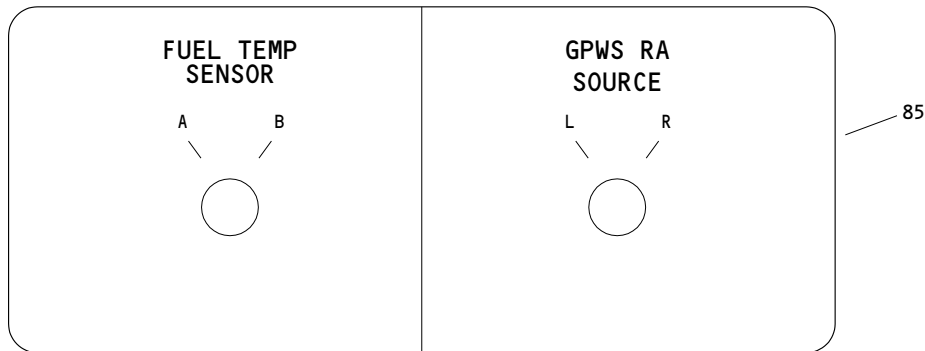


233U4212-1,-4,-5
823T0003-1

Fuel Temperature Sensor/GPWS RA Select Module Assembly
Figure 1 (Sheet 1)

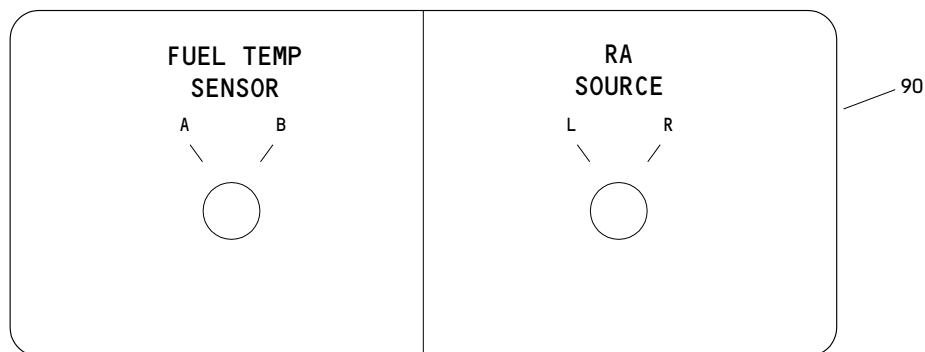
28-43-01

ILLUSTRATED PARTS LIST
01.1 Page 1009
Mar 01/03



233U4212-1,-4

(A)



233U4212-5

(B)



823T0003-1

(C)

Fuel Temperature Sensor/GPWS RA Select Module Assembly
 Figure 1 (Sheet 2)

28-43-01

ILLUSTRATED PARTS LIST
 01.1 Page 1010
 Mar 01/03

BOEING
COMPONENT
MAINTENANCE MANUAL

FIG. & ITEM	PART NO.	AIRLINE PART NUMBER	NOMENCLATURE 1234567	EFF CODE	QTY PER ASSY
01- -1A	233U4212-1		MODULE ASSY-(M6775), FUEL TEMP SENSOR/GPWS RA SELECT (PRE SB 233U4212-28-1)	A	RF
-1B	233U4212-4		MODULE ASSY-(M6775), FUEL TEMP SENSOR/GPWS RA SELECT	B	RF
-1C	233U4212-5		MODULE ASSY-(M6775), FUEL TEMP SENSOR/GPWS RA SELECT	C	RF
-5	233U4212-300		MODULE ASSY-(M6775), FUEL TEMP SENSOR/GPWS RA SELECT (FOR DETAILS SEE FIG. 2)	D	RF
-5A	233U4212-301		MODULE ASSY-(M6775), FUEL TEMP SENSOR/GPWS RA SELECT (PRE SB 233U4212-28-1) (FOR DETAILS SEE FIG. 2)	E	RF
-5B	233U4212-302		MODULE ASSY-(M6775), FUEL TEMP SENSOR/GPWS RA SELECT (FOR DETAILS SEE FIG. 3)	F	RF
-5C	823T0003-1		MODULE ASSY-(M6775), FUEL TEMP SENSOR/GPWS RA SELECT (POST SB 233U4212-28-1) (MODULE ASSY REWORKED FROM ITEM 1A)	G	RF
-5D	823T0003-1		MODULE ASSY-(M6775), FUEL TEMP SENSOR/GPWS RA SELECT (POST SB 233U4212-28-1)) (MODULE ASSY REWORKED FROM ITEM 5A) (FOR DTAILS SEE FIG. 2)	H	RF
10	AC45-0066		.SWITCH-ROTARY (V91812) (S1)	A-C,G	1
15	AC45-0067		.SWITCH-ROTARY (V91812) (S2)	A-C	1

28-43-01

ILLUSTRATED PARTS LIST
01.1 Page 1011
Mar 01/03

FIG. & ITEM	PART NO.	AIRLINE PART NUMBER	NOMENCLATURE 1234567	EFF CODE	QTY PER ASSY
01-					
20	NAS514P632		DELETED		
20A	NAS514P632-5P		.SCREW	A-C,G	3
25	233U4212-2		.BASEPLATE ASSY	A-C,G	1
30	PFSC35-38ASEMB		..STUD ASSY- (V72794) (SPEC BACS21DX1B)	A-C,G	4
35	BACP10U0225N		..BASEPLATE	A-C,G	1
40	NAS1801-06-5		.SCREW	A-C,G	3
45	MS35338-41		.WASHER	A-C,G	3
50	69B46200-6		.STANDOFF	C	3
-50A	69B46200-9		.STANDOFF	A,B,G	3
55	NAS1801-04-5		.SCREW	A-C,G	2
57	NAS1801-04-5		.SCREW	A-C	2
60	K19798-04		.NUT-CLIP (V15653) (SPEC BACN10NW1) (OPT RMA4812-160-40 (V72962)) (OPT 293162 (V60119))	A-C,G	2
62	K19798-04		.NUT-CLIP (V15653) (SPEC BACN10NW1) (OPT RMA4812-160-40 (V72962)) (OPT 293162 (V60119))	A-C	2
65	BACC45FN14-15P		.CONNECTOR- (J1)	A-C,G	1
70	BACC45FN14-15P6		.CONNECTOR- (J2)	A-C	1
75	233T6200-63		.BRACKET-BRACKET	A-C,G	1

28-43-01

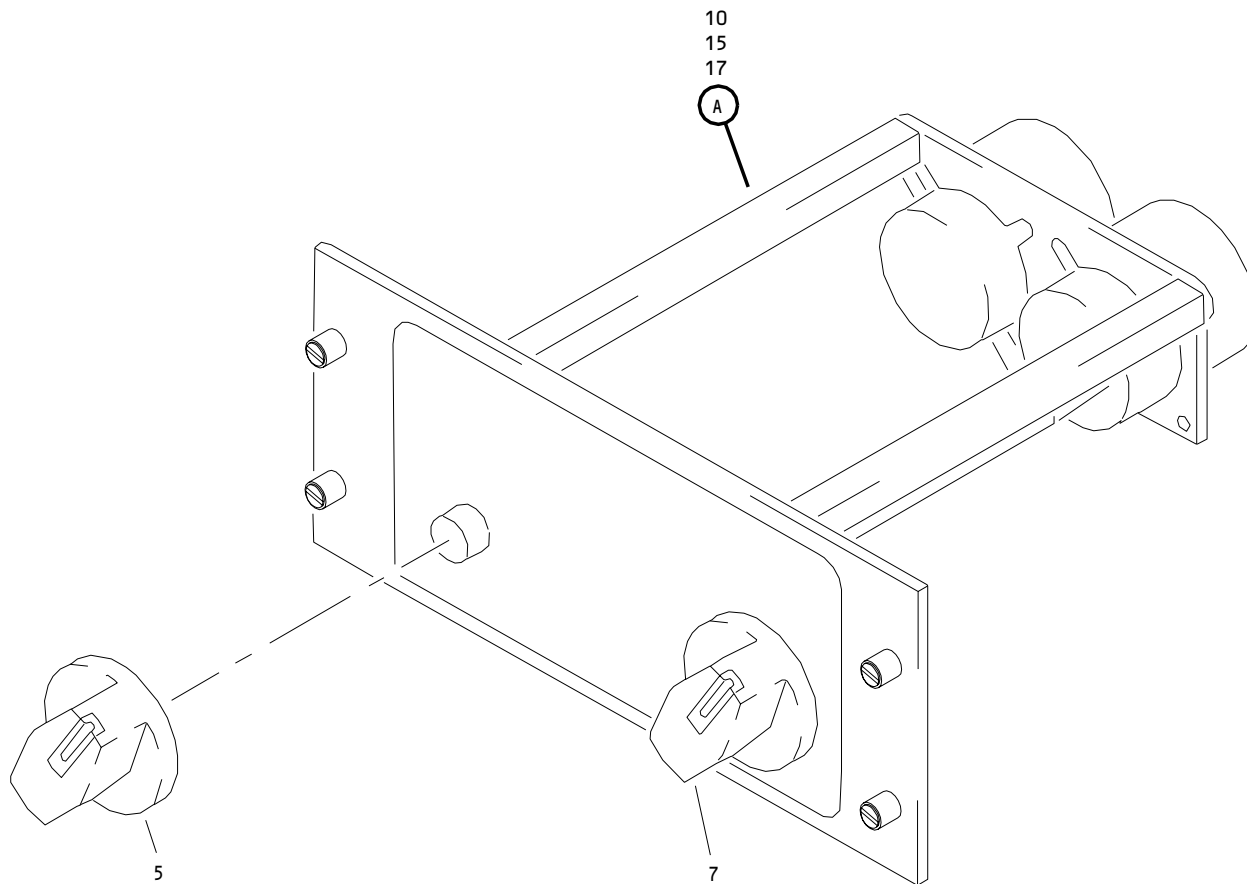
 ILLUSTRATED PARTS LIST
 01.1 Page 1012
 Mar 01/03

 **BOEING**
COMPONENT
MAINTENANCE MANUAL

FIG. & ITEM	PART NO.	AIRLINE PART NUMBER	NOMENCLATURE	EFF CODE	QTY PER ASSY
			1234567		
01-					
-80	233U4212-3		.WIRE BUNDLE ASSY	A-C	1
-80A	233U4212-3		.WIRE BUNDLE ASSY (MODIFIED PER SB 233U4212-28-1)	G	1
85	BAC27ECC1311		.DECAL	A,C	1
90	BAC27TFDE0419		.DECAL	B	1
95	BAC27TFDE609		.DECAL	G	1

28-43-01

ILLUSTRATED PARTS LIST
01.1 Page 1013
Mar 01/03

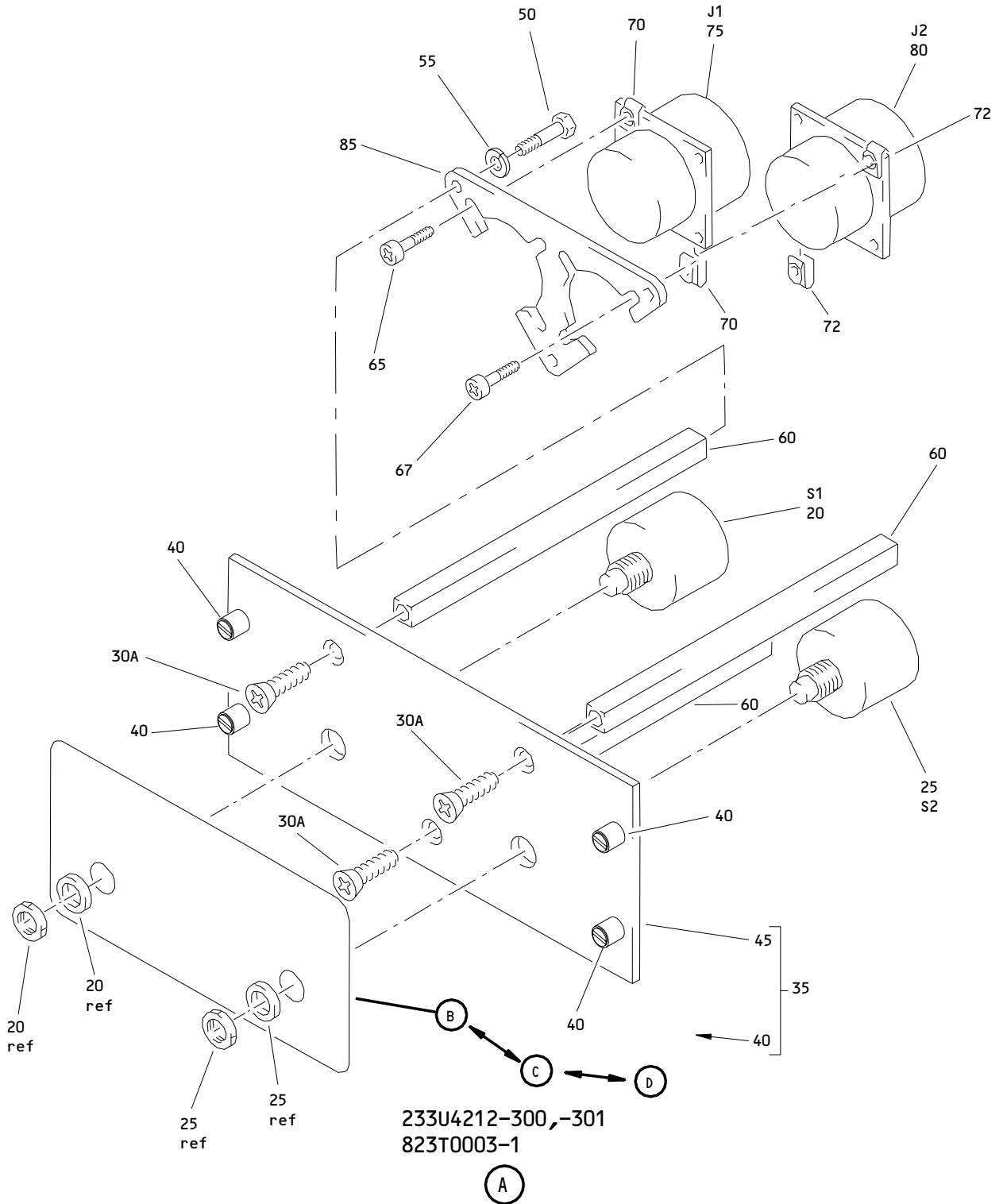


233U4212-300,-301
823T0003-1

Fuel Temperature Sensor/GPWS RA Select Module Assembly
Figure 2 (Sheet 1)

28-43-01

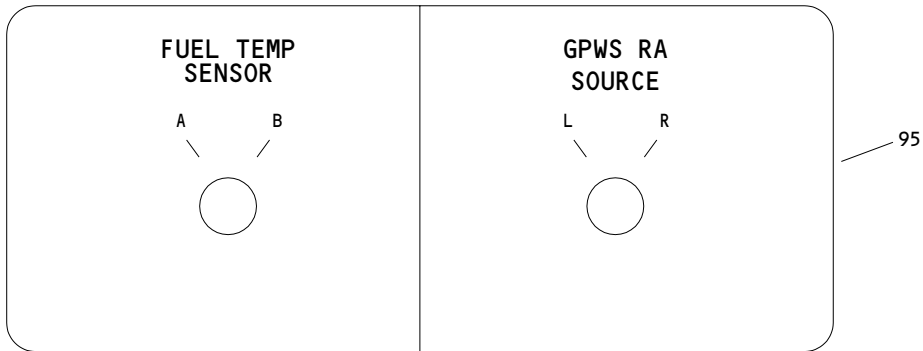
ILLUSTRATED PARTS LIST
01.1 Page 1014
Mar 01/03



Fuel Temperature Sensor/GPWS RA Select Module Assembly
Figure 2 (Sheet 2)

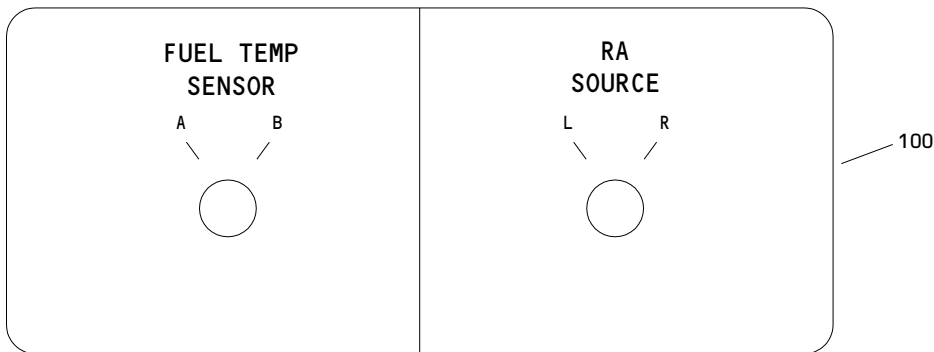
28-43-01

ILLUSTRATED PARTS LIST
01.1 Page 1015
Mar 01/03



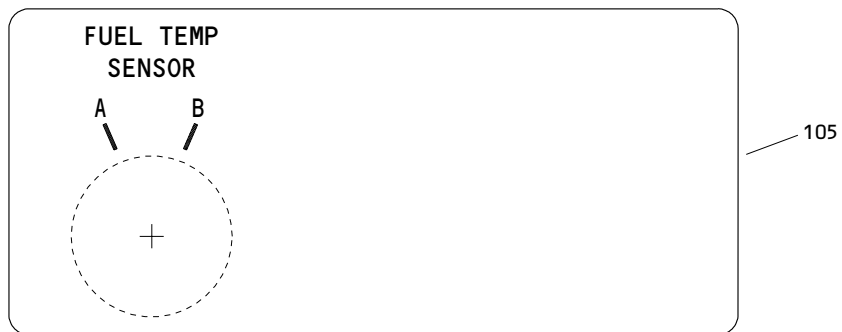
233U4212-300

(B)



233U4212-301

(C)



823T0003-1

(D)

Fuel Temperature Sensor/GPWS RA Select Module Assembly
 Figure 2 (Sheet 3)

28-43-01

ILLUSTRATED PARTS LIST
 01.1 Page 1016
 Mar 01/03

BOEING
COMPONENT
MAINTENANCE MANUAL

FIG. & ITEM	PART NO.	AIRLINE PART NUMBER	NOMENCLATURE 1234567	EFF CODE	QTY PER ASSY
02- -1A	233U4212-300		MODULE ASSY-(M6775), FUEL TEMP SENSOR/GPWS RA SELECT (PRE SB 233U4212-28-1)	D	RF
-1B	233U4212-301		MODULE ASSY-(M6775), FUEL TEMP SENSOR/GPWS RA SELECT	E	RF
-1C	823T0003-1		MODULE ASSY-(M6775), FUEL TEMP SENSOR/GPWS RA SELECT (POST SB 233U4212-28-1) (MODULE ASSY REWORKED FROM ITEM 1B)	H	RF
5	BP248-127		.KNOB- (V15084)	D,E,H	1
7	BP248-127		.KNOB- (V15084)	D,E	1
10	233U4212-5		.MODULE ASSY	D	1
15	233U4212-4		.MODULE ASSY (V91812) (S1)	E	1
17	233U4212-4		.MODULE ASSY (MODIFIED PER SB 233U4212-28-1)	H	1
20	AC45-0066		..SWITCH-ROTARY (V91812) (S1)	D,E,H	1
25	AC45-0067		..SWITCH-ROTARY (V91812) (S2)	D,E	1
30	NAS514P632		DELETED		
30A	NAS514P632-5P		..SCREW	D,E,H	3
35	233U4212-2		..BASEPLATE ASSY	D,E,H	1
40	PFSC35-38ASEMB		...STUD ASSY- (V72794) (SPEC BACS21DX1B)	D,E,H	4
45	BACP10U0225N		...BASEPLATE	D,E,H	1

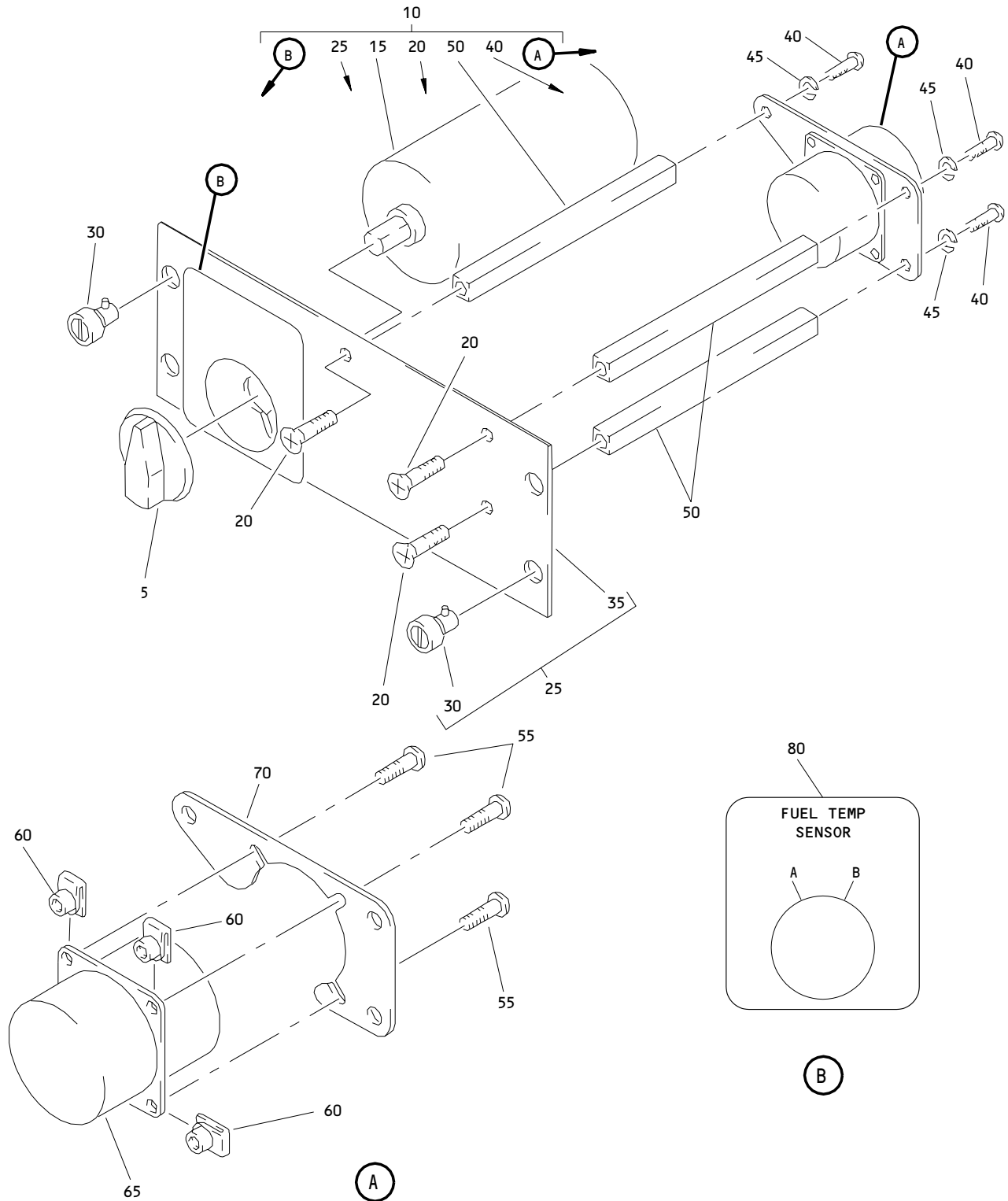
28-43-01

ILLUSTRATED PARTS LIST
01.1 Page 1017
Mar 01/03

FIG. & ITEM	PART NO.	AIRLINE PART NUMBER	NOMENCLATURE 1234567	EFF CODE	QTY PER ASSY
02-					
50	NAS1801-06-5		..SCREW	D,E,H	3
55	MS35338-41		..WASHER	D,E,H	3
60	69B46200-6		..STANDOFF	D	3
-60A	69B46200-9		..STANDOFF	E,H	3
65	NAS1801-04-5		..SCREW	D,E,H	2
67	NAS1801-04-5		..SCREW	D,E	2
70	K19798-04		..NUT-CLIP (V15653) (SPEC BACN10NW1) (OPT RMA4812-160-40 (V72962)) (OPT 293162 (V60119))	D,E,H	2
72	K19798-04		..NUT-CLIP (V15653) (SPEC BACN10NW1) (OPT RMA4812-160-40 (V72962)) (OPT 293162 (V60119))	D,E	2
75	BACC45FN14-15P		..CONNECTOR- (J1)	D,E,H	1
80	BACC45FN14-15P6		..CONNECTOR- (J2)	D,E	1
85	233T6200-63		..BRACKET-BRACKET	D,E,H	1
-90	233U4212-3		..WIRE BUNDLE ASSY	D,E	1
-90A	233U4212-311		..WIRE BUNDLE ASSY (MODIFIED PER SB 233U4212-28-1)	H	1
95	BAC27ECC1311		..DECAL	D	1
100	BAC27TFDE0419		..DECAL	E	1
105	BAC27TFDE609		..DECAL	H	1

28-43-01

 ILLUSTRATED PARTS LIST
 01.1 Page 1018
 Mar 01/03



233U4212-302
 Fuel Temperature Sensor/GPWS RA Select Module Assembly
 Figure 3

28-43-01

ILLUSTRATED PARTS LIST
 01.1 Page 1020
 Mar 01/03

 **BOEING**
COMPONENT
MAINTENANCE MANUAL

FIG. & ITEM	PART NO.	AIRLINE PART NUMBER	NOMENCLATURE 1234567	EFF CODE	QTY PER ASSY
03- -1A	233U4212-302		MODULE ASSY-(M6775), FUEL TEMP SENSOR/GPWS RA SELECT	F	RF
5	BP248-127		.KNOB- (V15084)	F	1
10	233U4212-6		.MODULE ASSY	F	1
15	AC45-0066		..SWITCH-ROTARY (V91812) (S1)	F	1
20	FH6C5CPL12BN		..SCREW-PAINTED HEAD (V12324)	F	3
25	233U4212-7		..BASEPLATE ASSY	F	1
30	PFSC35-38ASEMB		...STUD ASSY- (V72794) (SPEC BACS21DX1B)	F	4
35	BACP10U0225N		...BASEPLATE	F	1
40	MS51957-27		..SCREW	F	3
45	MS35338-136		..WASHER-LOCK	F	3
50	69B46200-6		..STANDOFF	F	3
55	MS51957-14		..SCREW	F	3
60	K19798-04		..NUT-CLIP (V15653) (SPEC BACN10NW1) (OPT RMA4812-160-40 (V72962)) (OPT 293162 (V60119))	F	3
65	BACC45FN14-15P		..CONNECTOR- (J1)	F	1
70	233T6200-64		..BRACKET	F	1
-75	233U4212-8		..WIRE BUNDLE ASSY	F	1
80	BAC27ECC1636		..DECAL	F	1

28-43-01

ILLUSTRATED PARTS LIST
01.101 Page 1021
Mar 01/03